

Dewpoint transmitter to -90 °C td



SPECIFICATIONS

testo 6781



The transmitter testo 6781 was developed specially for trace humidity measurement in compressed air and in dry air (e. g. in granulate dryers). The international norm ISO 8573 categorizes seven classes of compressed air. High-performance adsorption dryers are required in order to meet the highest quality classes 1 and 2. They can be monitored by the testo 6781 down to very low dewpoints of -90 °C_{td} .

The newly developed sensor with sol-gel technology is characterized by its condensation-proofness and fast response time, thus guaranteeing highest process security.

Areas of application:

- Dewpoint measurement in compressed air in ISO Classes 1 ($<-70\text{ °C}_{td}$) and 2 ($<-40\text{ °C}_{td}$)
- Monitoring of adsorption dryers, granulate dryers and medical compressed air
- Quality assurance for noble gas preparation



SPECIFICATIONS

testo 6781

- Measurement of dewpoints in the measuring range -90 to $+30\text{ °C}_{td}$, with main applications under -40 °C_{td}
- New, very condensation-proof sensor with sol-gel technology guarantees highest process security and fast response
- Automatic self-adjustment ensures high accuracy and long reliability
- Optional display with multi-language user menu
- Self-monitoring of the transmitter guarantees high system availability
- The P2A software for parameterization, adjustment and analysis saves time and costs in commissioning and maintenance



Dewpoint transmitter to -90 °C td

Technical data

Parameters	
Humidity/trace humidity	
Units	°C _{td} , °F _{td} , %rF, %RH
Calculated variables	°C _{tdA} , °F _{tdA} (normed atmosph. dewpoint), ppmV, g/m ³ , g/ft ³ , g/kg, g/lb
Measuring range	-90 to 30 °Ctd / -130 to 86 °Ftd
Measurement uncertainty*	-20 °C _{td} to -40 °C _{td} : ±1,5K -40 °C _{td} to -60 °C _{td} : ±2K -60 °C _{td} to -75 °C _{td} : ±2,5K -75 °C _{td} to -90 °C _{td} : ±5K (typical)
Response time	t63 ≤ 3s for switch from -75 °C _{td} to -30 °C _{td} t90 ≤ 9s for switch from -75 °C _{td} to -30 °C _{td} t63 ≤ 300s for switch from -30 °C _{td} to -75 °C _{td} t90 ≤ 1080s for switch from -30 °C _{td} to -75 °C _{td}
Autom. self-adjustment	Cycle adjustable: 1 h / 6 h / 12 h / 24 h

General technical data		
Model		
Material	Metal housing	
Dimensions	208 x 60 x 35 mm	
Weight	0.5 kg	
Display		
Display	optional: 2-line LCD with multi-language operating menu	
Resolution	Measuring range	Resolution
	0 to +100 %RH	0.001
	0.001 to 28 g/kg	0.001
	0.01 to 194 g/lb	0.01
	0 to 31 g/m ³	0.001
	0.001 to 14 g/ft ³	0.001
	1 to 42500 ppm(V)	1
	-90 to +30 °Ctd	0.1
	-130 to +86 °Ftd	0.1
	-110 to +30 °CtdA	0.1
	-165 to +86 °FtdA	0.1
	-40 to +70 °C	0.01
	-40 to +158 °F	0.01
Miscellaneous		
Protection class	IP 65	
EMC	EU guideline 2004/108/EC	

Operating conditions		
	Process temperature	-40 to +70 °C / -40 to +158 °F
	Process pressure	max. 50 bar
Without display	Operation temperature	-40 to +70 °C / -40 to +158 °F
	Storage temperature	-40 to +80 °C / -40 to +176 °F
With display	Operation temperature	0 to +50 °C / +32 to +122 °F
	Storage temperature	-20 to +80 °C / -4 to +176 °F

* Determination measurement inaccuracy according to GUM
GUM (Guide to the Expression of Uncertainty in Measurement): ISO guideline for the determination of measurement inaccuracy, in order to make measurements comparable worldwide. The following inaccuracies are used for the determination:

- Hysteresis
- Linearity
- Reproducibility
- Adjustment site/factory calibration
- Test site

This total view results in an additional dewpoint-dependent and process-dependent inaccuracy contribution of ±0.03 K x measurement value (in °Ctd) + 0.2 K x (25 °C - process temperature in °C).

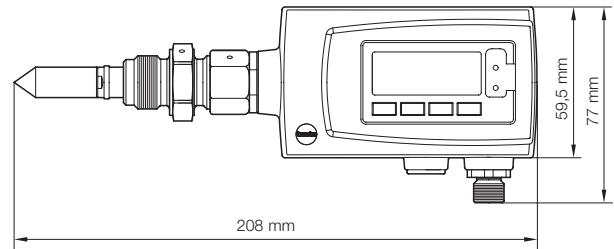
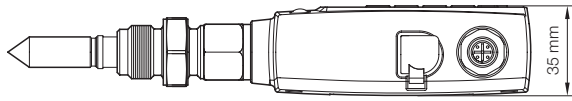
Outside the stated measuring range, a measurement inaccuracy of ±5 K applies (typical, max. ±10 K).

Inputs/outputs	
Analog outputs	
Current/accuracy	0 to 20 mA ±0.03 mA (4-wire) 4 to 20 mA ± 0.03 mA (4-wire)
Output type	0 to 1 V ±1.5 mV (4-wire) 0 to 5 V ± 7.5 mV (4-wire) 0 to 10 V ±15 mV (4-wire)
Meas. cycle	1/sec
Resolution	12 bit
Load	max. 500 Ω
Other outputs	
Digital	Mini-DIN for P2A software
Supply	
Voltage supply	20 to 30 VAC/DC, 300 mA current consumption, galvanically separate signal and supply line



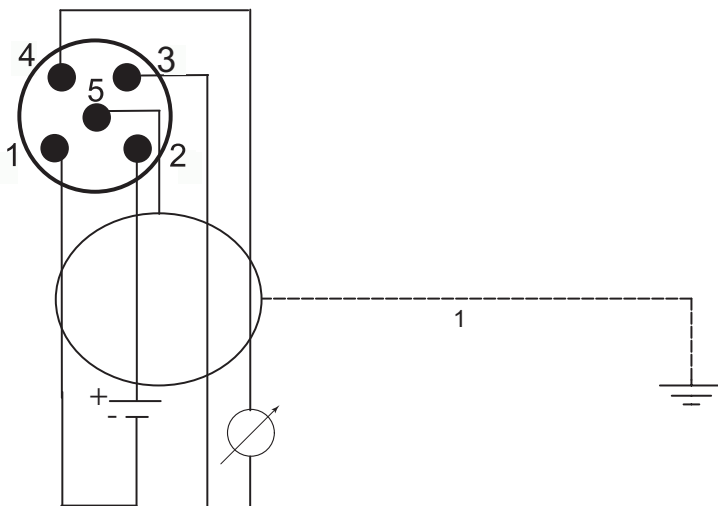
Dewpoint transmitter to -90 °C td

Technical drawings

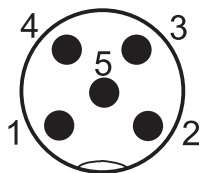


Connection plan

Connection plan 4-wire technology
(0 to 20 mA/4 to 20 mA/0 to 1 V/0 to 5 V/0 to 10 V)



Plug connection M12 (5-pin), plug



Pin	Connection
1	-24 V
2	+24 V
3	+Ch1
4	-Ch1
5	PE



Dewpoint transmitter to -90 °C td

The following options can be specified for the testo 6781:

AXX	Process connection
BXX	Analog display/supply
CXX	Display / menu language
FXX	Humidity parameter / min limit value / max limit value / hysteresis (pre-set)
KXX	Instruction manual languages
MXX	Protective cap

AXX	Measuring range
A01	Process connection G1/2
A02	Process connection NPT 1/2"

BXX	Analog display/supply
B02	0 to 1 V (4-wire, 24 VAC/DC)
B03	0 to 5 V (4-wire, 24 VAC/DC)
B04	0 to 10 V (4-wire, 24 VAC/DC)
B05	0 to 20 mA (4-wire, 24 VAC/DC)
B06	4 to 20 mA (4-wire, 24 VAC/DC)

CXX	Display / menu language
C00	without display
C02	with display/English
C03	with display/German
C04	with display/French
C05	with display/Spanish
C06	with display/Italian
C07	with display/Japanese
C08	with display/Swedish

FXX	Humidity parameter / min limit value / max limit value / hysteresis (pre-set)
F01	°Ctd / min / max
F02	°Ftd / min / max
F03	% RH/Min/Max
F04	%RH / min / max
F05	°Ctd A / min / max
F06	°Ftd A / min / max
F07	ppmV / min / max
F08	g/m ³ / min / max
F09	g/ft ³ / min / max
F10	g/kg / min / max
F11	g/lb / min / max

KXX	Instruction manual language
K01	German/English instruction manual
K02	French/English instruction manual
K03	Spanish/English instruction manual
K04	Italian/English instruction manual
K05	Dutch/English instruction manual
K06	Japanese/English instruction manual
K07	Chinese/English instruction manual
K08	Swedish/English instruction manual

MXX	Protective cap
M01	Stainless steel cap
M03	PTFE cap

Example:

Order code for transmitter testo 6781 with the following options:

- Process connection NPT 1/2"
- Analog display/supply 4 to 20 mA (4-wire, 24 VAC/DC)
- without display
- Humidity parameter / min limit value / max limit value / hysteresis g/m³ / min / max
- Instruction manual language German/English
- Sintered stainless steel cap

0555 6781 A02 B06 C00 F08 K01 M01